

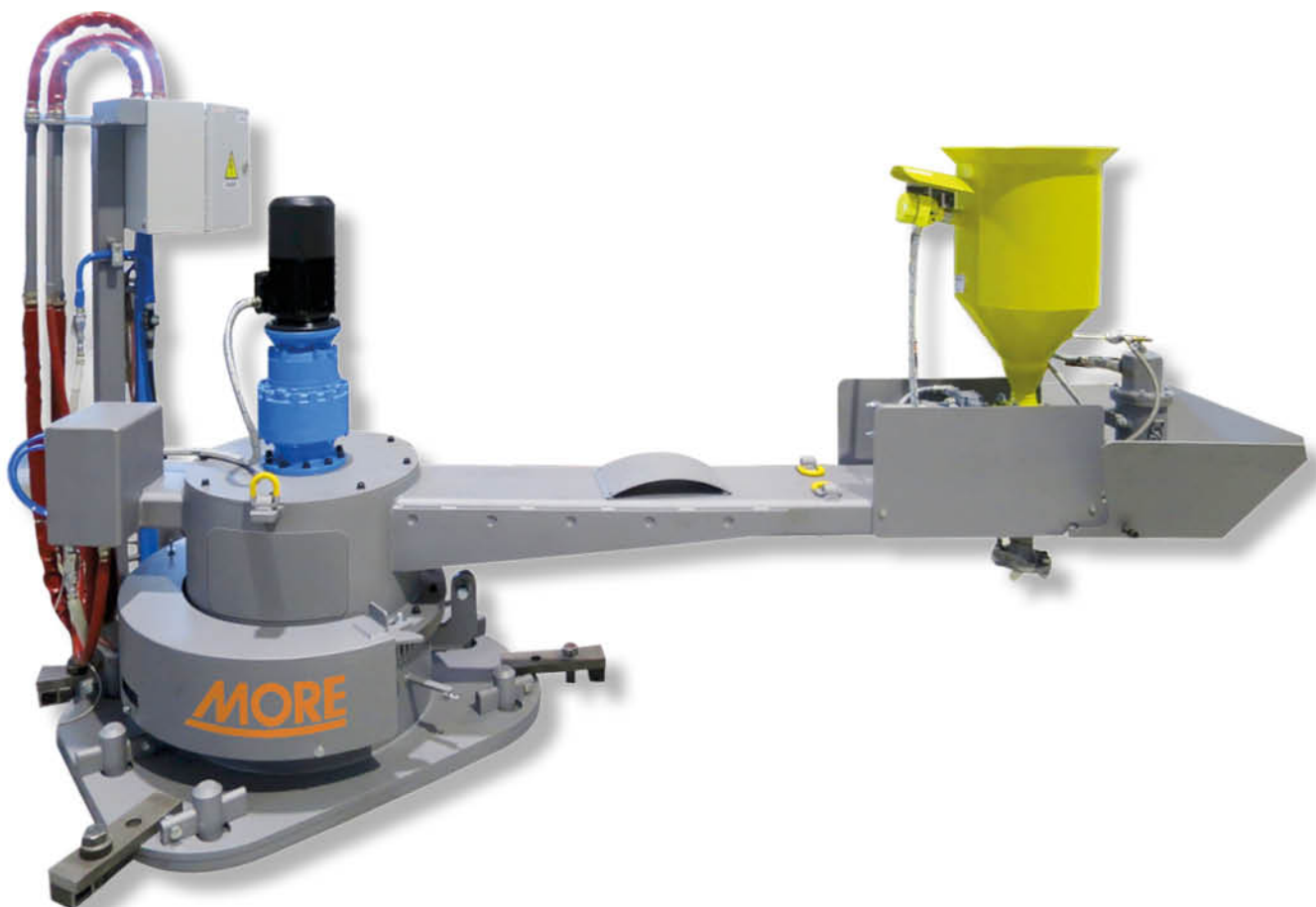
SANDY LADLE WELL BLOCK SAND FILLING AND INSPECTION SYSTEM



SANDY

The SANDY equipment has been designed to fill sand and inspect remotely the ladle well block eliminating manual operation, increase the opening rate and reduce filler sand consumption.

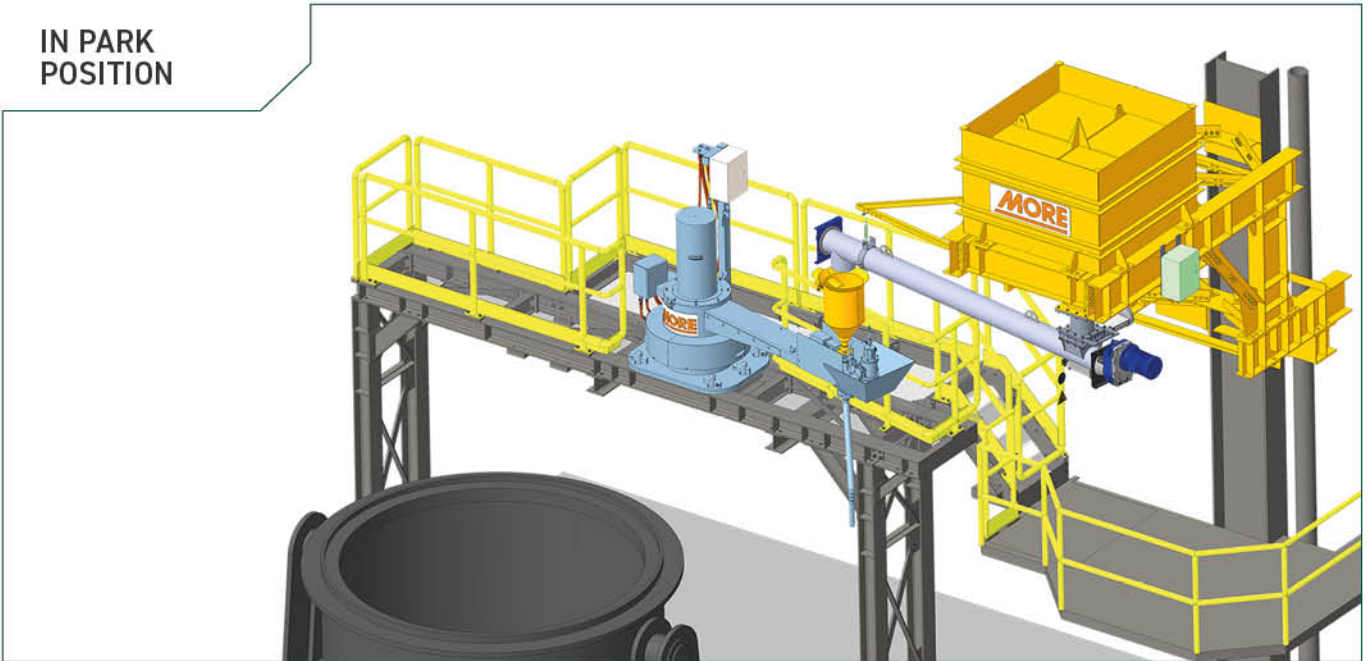
A hopper on board of the manipulator is charged with the proper amount of sand by a screw conveyor from a storage hopper designed to prevent moisture pickup in the sand. The inspection camera is installed on board of the system to check in real time the correct feeding of the material and ladle well block status.



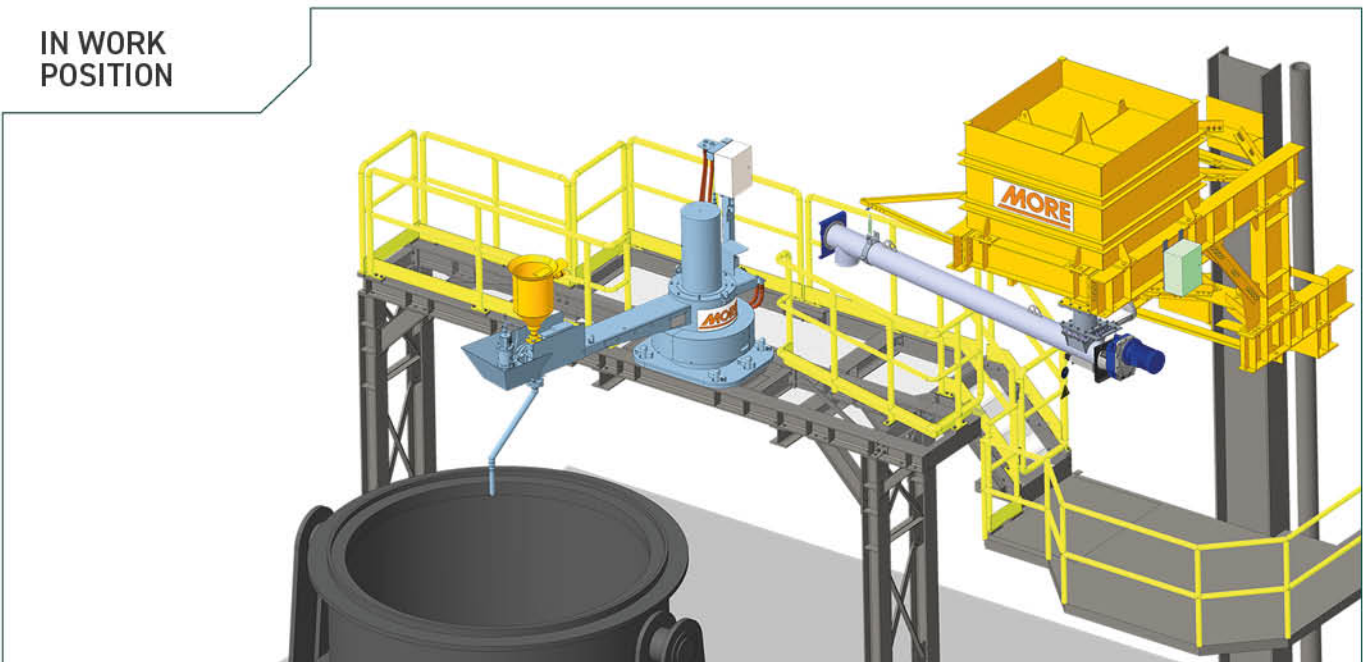
EQUIPMENT
IN OPERATION



IN PARK
POSITION



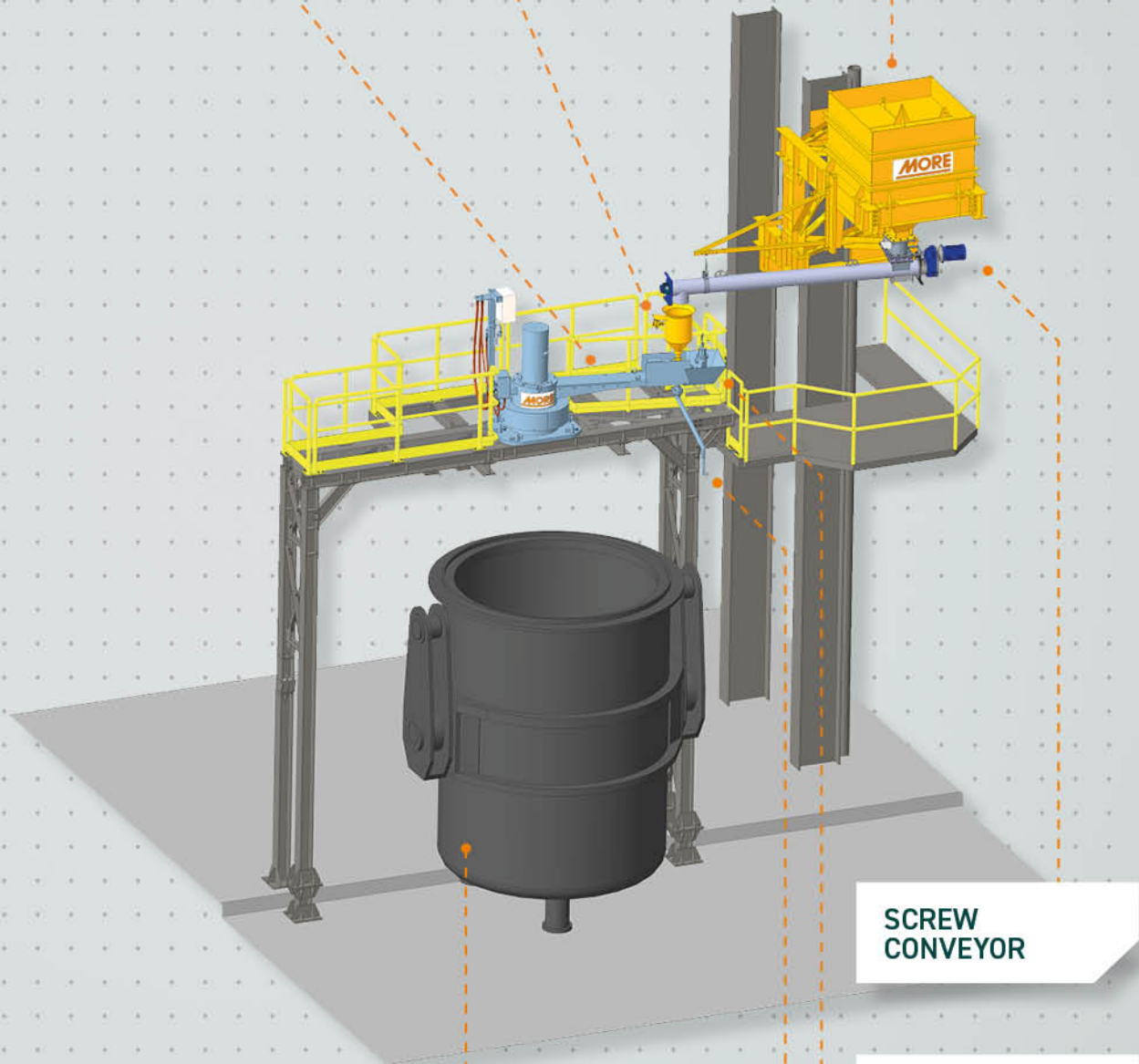
IN WORK
POSITION



MANIPULATOR

SAND HOPPER

STORAGE
SAND HOPPER



SCREW
CONVEYOR

INSPECTION
CAMERA

LADLE

SAND INLET
DUCT

FEATURES



MULTIFUNCTION SYSTEM:
SAND FILLING AND REMOTE
VISUAL INSPECTION



**HEAVY DUTY
DESIGN**



STORAGE HOPPER
DESIGNED TO PREVENT
MOISTURE PICKUP IN THE SAND



**PRECISE POSITIONING
AND CONTROL OF
SAND FILLING**



HIGH RESOLUTION
IMAGE CONTROL, EVENT BASED VIDEO
RECORDING AND IMAGE STORAGE

BENEFITS



**AUTOMATIC, PRECISE AND
REMOTE SAND CHARGING
OPERATION**



**IMPROVED OPERATORS'
HEALTH AND SAFETY**

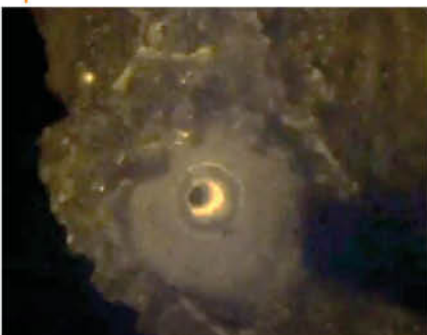


**REDUCED FILLER
SAND CONSUMPTION**



**INCREASED NOZZLE
OPENING RATE >98%**

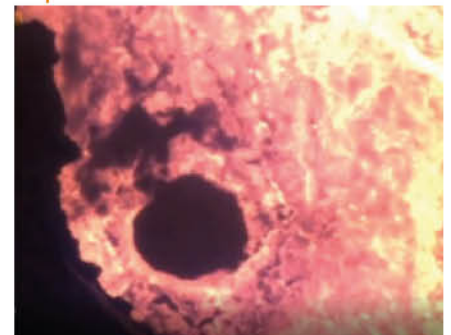
**LADLE WELL BLOCK
BEFORE SAND FILLING**



**LADLE WELL BLOCK
DURING SAND FILLING**



**LADLE WELL BLOCK
AFTER SAND FILLING**





MORE S.R.L.

Via S. Lucia, 7
33013 Gemona del Friuli (UD)
Italy

info@more-oxy.com
www.more-oxy.com

MORE North America Corp.

1620 Cobb International Blvd. Suite 3
Kennesaw, Georgia 30152
USA

Suzhou MORE Metallurgy Technology Co., Ltd.

Xinggong Rd. Yanjiang E&D Zone 19
215513 Changshu, Jiangsu Province
China